

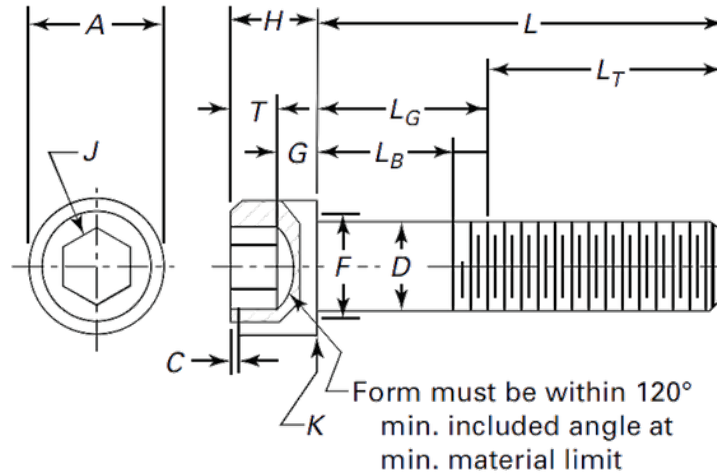
### Dimensions of Hexagon Socket Head Cap Screws

ASME B 18.3-2002

Nominal Size (Basic Product Diameter)	D		A		H		C	J	T	G	K
	Body Diameter		Head Diameter		Head Height						
	Max.	Min.	Max.	Min.	Max.	Min.					

5	(0.1250)	0.1250	0.1202	0.205	0.198	0.125	0.121	0.012	3/32	0.094	0.057	0.043	0.008
6	(0.1380)	0.1380	0.1329	0.226	0.216	0.138	0.134	0.013	7/64	0.109	0.064	0.047	0.008
8	(0.1640)	0.1640	0.1585	0.270	0.257	0.164	0.159	0.014	9/64	0.141	0.077	0.056	0.008
10	(0.1900)	0.1900	0.1840	0.312	0.298	0.190	0.185	0.018	5/32	0.156	0.090	0.065	0.008
12	(0.2160)	0.2160	0.2095	0.324	0.314	0.216	0.210	0.022	5/32	0.156	0.103	0.082	0.010
1/4	(0.2500)	0.2500	0.2435	0.375	0.354	0.250	0.244	0.025	3/16	0.188	0.120	0.095	0.010
5/16	(0.3125)	0.3125	0.3053	0.469	0.446	0.312	0.306	0.033	1/4	0.250	0.151	0.119	0.010
3/8	(0.3750)	0.3750	0.3678	0.562	0.540	0.375	0.368	0.040	5/16	0.312	0.182	0.143	0.010
7/16	(0.4375)	0.4375	0.4294	0.656	0.631	0.438	0.430	0.047	3/8	0.375	0.213	0.166	0.015
1/2	(0.5000)	0.5000	0.4919	0.750	0.725	0.500	0.492	0.055	3/8	0.375	0.245	0.190	0.015
9/16	(0.5625)	0.5625	0.5538	0.843	0.827	0.562	0.554	0.062	7/16	0.437	0.276	0.214	0.015
5/8	(0.6250)	0.6250	0.6163	0.938	0.914	0.625	0.616	0.070	1/2	0.500	0.307	0.238	0.015
3/4	(0.7500)	0.7500	0.7406	1.125	1.094	0.750	0.740	0.085	5/8	0.625	0.370	0.285	0.015

NOTE: ALL DIMENSIONS ARE IN INCHES



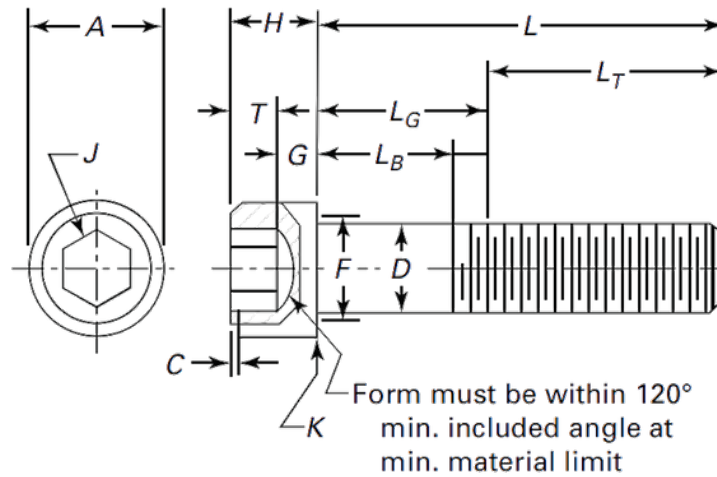
### Dimensions of Hexagon Socket Head Cap Screws

ASME B 18.3-2002

Nominal Size (Basic Product Diameter)	D		A		H		C	J	T	G	K
	Body Diameter		Head Diameter		Head Height						
	Max.	Min.	Max.	Min.	Max.	Min.					

7/8	(0.8750)	0.8750	0.8647	1.312	1.291	0.875	0.864	0.100	3/4	0.750	0.432	0.333	0.020
1	(1.0000)	1.0000	0.9886	1.500	1.476	1.000	0.988	0.114	3/4	0.750	0.495	0.380	0.020
1-1/8	(1.1250)	1.1250	1.1086	1.688	1.665	1.125	1.111	0.129	7/8	0.875	0.557	0.428	0.020
1-1/4	(1.2500)	1.2500	1.2336	1.875	1.852	1.250	1.236	0.144	7/8	0.875	0.620	0.475	0.020
1-3/8	(1.3750)	1.3750	1.3568	2.062	2.038	1.375	1.360	0.160	1	1.000	0.682	0.523	0.020
1-1/2	(1.5000)	1.5000	1.4818	2.250	2.224	1.500	1.485	0.176	1	1.000	0.745	0.570	0.020
1-3/4	(1.7500)	1.7500	1.7295	2.625	2.597	1.750	1.734	0.207	1-1/4	1.250	0.870	0.665	0.020
2	(2.0000)	2.0000	1.9780	3.000	2.970	2.000	1.983	0.238	1-1/2	1.500	0.995	0.760	0.020
2-1/4	(2.2500)	2.2500	2.2280	3.375	3.344	2.250	2.232	0.269	1-3/4	1.750	1.120	0.855	0.036
2-1/2	(2.5000)	2.5000	2.4762	3.750	3.717	2.500	2.481	0.300	1-3/4	1.750	1.245	0.950	0.036
2-3/4	(2.7500)	2.7500	2.7262	4.125	4.090	2.750	2.730	0.332	2	2.000	1.370	1.045	0.036
3	(3.0000)	3.0000	2.9762	4.500	4.464	3.000	2.979	0.363	2-1/4	2.250	1.495	1.140	0.036
3-1/4	(3.2500)	3.2500	3.2262	4.875	4.837	3.250	3.228	0.394	2-1/4	2.250	1.620	1.235	0.036

NOTE: ALL DIMENSIONS ARE IN INCHES



### Dimensions of Hexagon Socket Head Cap Screws

ASME B 18.3-2002

Nominal Size (Basic Product Diameter)	D		A		H		C	J	T	G	K	
	Body Diameter		Head Diameter		Head Height							
	Max.	Min.	Max.	Min.	Max.	Min.						
3-1/2 (3.5000)	3.5000	3.4762	5.250	5.211	3.500	3.478	0.426	2-3/4	2.750	1.745	1.330	0.036
3-3/4 (3.7500)	3.7500	3.7262	5.625	5.584	3.750	3.727	0.458	2-3/4	2.750	1.870	1.425	0.036
4 (4.0000)	4.0000	3.9762	6.000	5.958	4.000	3.976	0.489	3	3.000	1.995	1.520	0.036